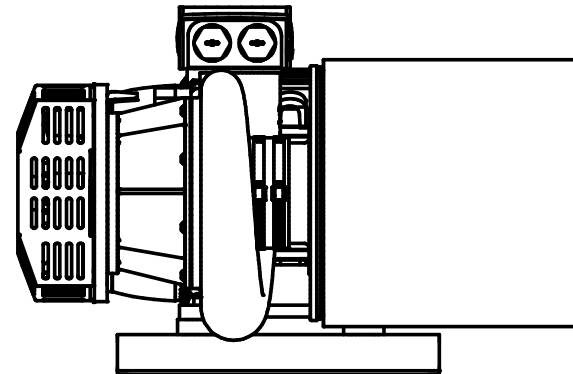
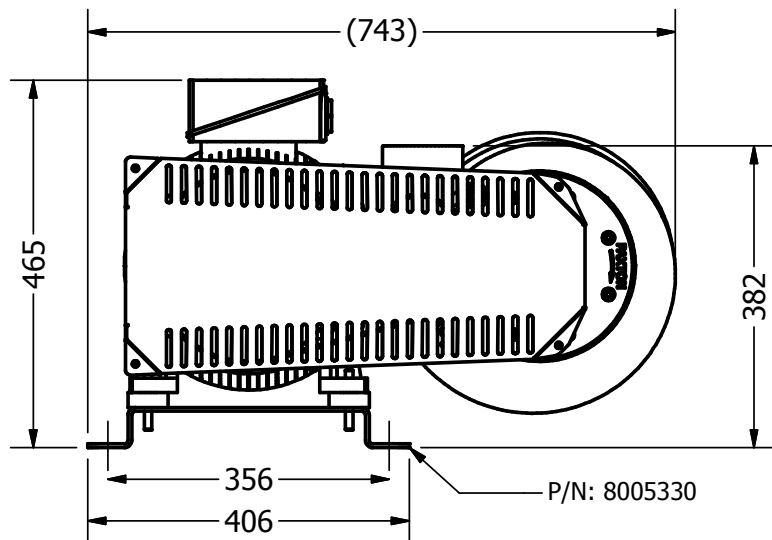


5M-1500-H, FILTER,SIL/HSG, 2548 m3/hr @ 5 MIC.
HIGH FLOW SYNTHETIC, W/CLAMPS

REPLACEMENT FILTER R2-PACK
5M-1500-2



**BLOWER ORIENTATION:
VIEW A, ROTATION A**

See Paxton VIEW_ROTATION
diagram for more orientations.

SOLVAIR LIMITED
ROCHDALE & IPSWICH UK

TEL: +44 (0)1706 375737 FAX: +44 (0)1706 377332
www.solvair.co.uk

European Sales and Service Centre for Paxton Products



THIS DOCUMENT IS THE PROPERTY
OF PAXTON PRODUCTS AND IS
FURNISHED ON THE CONDITION
THAT IT IS TO BE USED ONLY BY
PAXTON CUSTOMERS FOR
INTEGRATING PAXTON
EQUIPMENT. THIS DOCUMENT
MAY BE USED BY CUSTOMERS TO
CREATE THEIR OWN EQUIPMENT
DOCUMENTATION. OTHERWISE
THIS DOCUMENT IS NOT TO BE
USED IN ANY SHAPE OR FORM TO
CREATE DOCUMENTS, PARTS, OR
EQUIPMENT.



10125 Carver Road Phone: (800) 441-7475
Cincinnati, OH 45242 (513) 891-7474
www.paxtonproducts.com

PX-2000 HIGH SPEED CENTRIFUGAL BLOWER
15KW IEC MOTOR IE3 50Hz, A-A

DATE

1/29/2021

INVENTOR DWG No.

OA-PX2000-15KW-160M-9.525-490