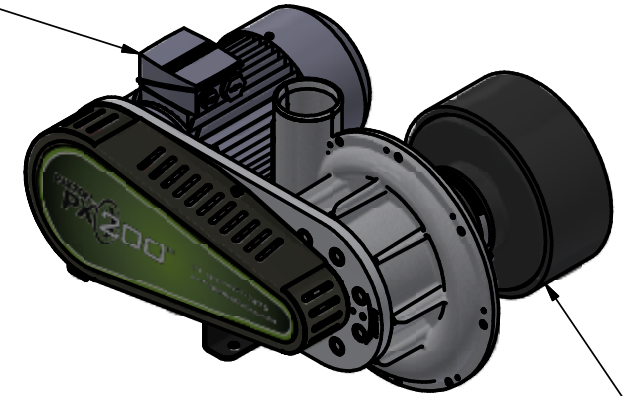


Siemens AC Induction Motor, IE3, 1.5kW
 P/N:1LE1003-0EA02-2NB4-Z F74+Y58 {Y58:D024_E055}

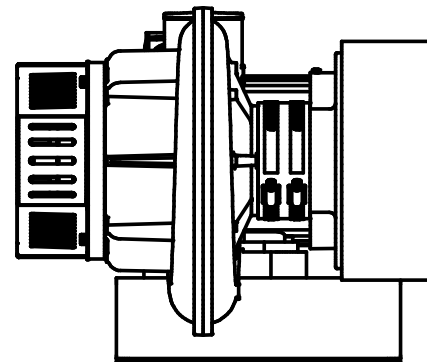
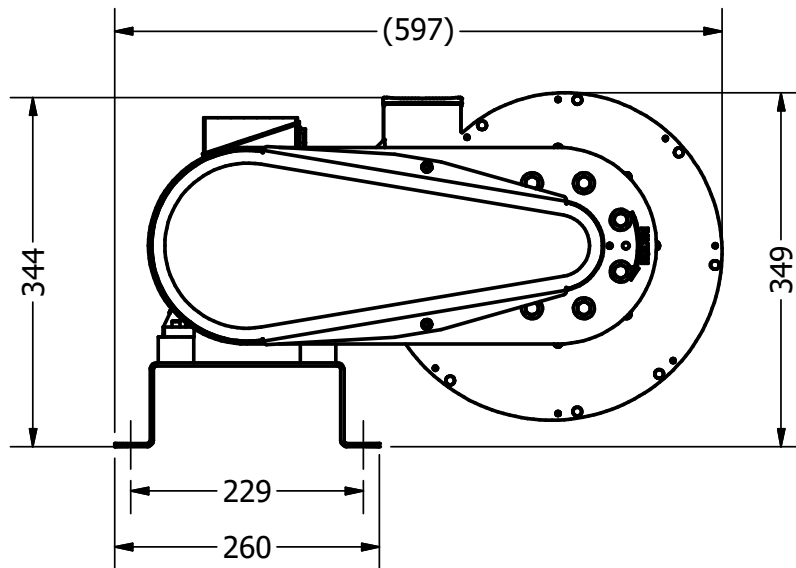


5M-300-H, FILTER,SIL/HSG, 509 m3/hr @ 5 MIC.
 HIGH FLOW SYNTHETIC, W/CLAMPS

REPLACEMENT FILTER 2-PACK
 5M-300-R2

**BLOWER ORIENTATION:
 VIEW A, ROTATION A**

See Paxton VIEW_ROTATION
 diagram for more orientations.



SOLVAIR LIMITED
 ROCHDALE & IPSWICH UK

TEL: +44 (0)1706 375737 FAX: +44 (0)1706 377332
 www.solvair.co.uk

European Sales and Service Centre for Paxton Products



THIS DOCUMENT IS THE PROPERTY
 OF PAXTON PRODUCTS AND IS
 FURNISHED ON THE CONDITION
 THAT IT IS TO BE USED ONLY BY
 PAXTON CUSTOMERS FOR
 INTEGRATING PAXTON
 EQUIPMENT. THIS DOCUMENT
 MAY BE USED BY CUSTOMERS TO
 CREATE THEIR OWN EQUIPMENT
 DOCUMENTATION. OTHERWISE
 THIS DOCUMENT IS NOT TO BE
 USED IN ANY SHAPE OR FORM TO
 CREATE DOCUMENTS, PARTS, OR
 EQUIPMENT.



10125 Carver Road Phone: (800) 441-7475
 Cincinnati, OH 45242 (513) 891-7474
 www.paxtonproducts.com

PX-200 HIGH SPEED CENTRIFUGAL BLOWER
 1.5KW IEC MOTOR IE3 50Hz, A-A

DATE

7/2/2021

INVENTOR DWG No.

OA-PX200-1.5KW-90L-7.938-960