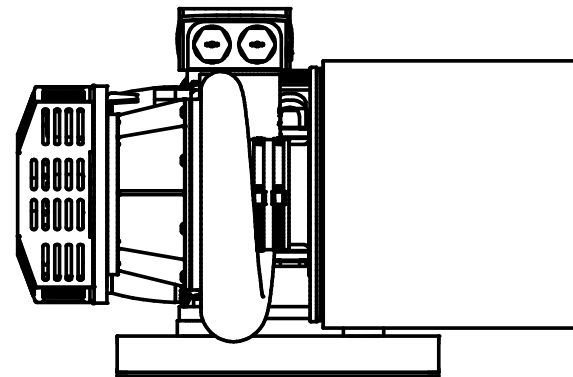
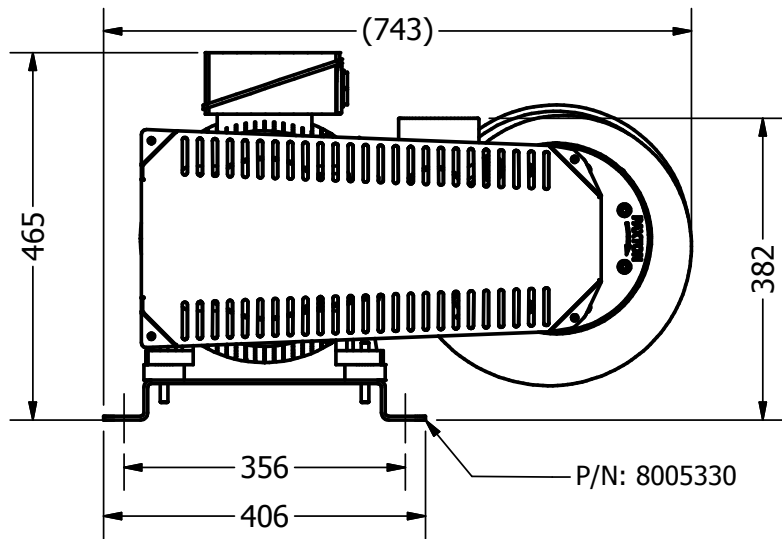


5M-1500-H, FILTER, SIL/HSG, 2548 m3/hr @ 5 MIC.
HIGH FLOW SYNTHETIC, W/CLAMPS

REPLACEMENT FILTER 2-PACK
5M-1500-R2

**BLOWER ORIENTATION:
VIEW A, ROTATION A**

See Paxton VIEW_ROTATION
diagram for more orientations.



SOLVAIR LIMITED
ROCHDALE & IPSWICH UK

TEL: +44 (0)1706 375737 FAX: +44 (0)1706 377332
www.solvair.co.uk

European Sales and Service Centre for Paxton Products



THIS DOCUMENT IS THE PROPERTY OF PAXTON PRODUCTS AND IS FURNISHED ON THE CONDITION THAT IT IS TO BE USED ONLY BY PAXTON CUSTOMERS FOR INTEGRATING PAXTON EQUIPMENT. THIS DOCUMENT MAY BE USED BY CUSTOMERS TO CREATE THEIR OWN EQUIPMENT DOCUMENTATION. OTHERWISE THIS DOCUMENT IS NOT TO BE USED IN ANY SHAPE OR FORM TO CREATE DOCUMENTS, PARTS, OR EQUIPMENT.



10125 Carver Road Phone: (800) 441-7475
Cincinnati, OH 45242 (513) 891-7474
www.paxtonproducts.com

PX-1550 HIGH SPEED CENTRIFUGAL BLOWER
11KW IEC MOTOR IE3 50Hz, A-A

DATE

1/29/2021

INVENTOR DWG No.

OA-PX1550-11KW-160M-9.525-490